

Installation instructions for KZNG5-01699-00
Under Run Protective Shield Transmission Case

LEXUS GX



TOYOTA LC



Model Year: **GX 460 - 2009 - 2013 -**

**LC 150 Diesel -
2009 - 2013 - 2015 -**

LC 150 Petrol - 2009 - 2013 -

Vehicle Code **URJ150L-GKTZKW**

KDJ150L-GKAEYW

GRJ150L-GKAEKW

Part Number

KZNG5-01699-00



Weight

11,59 kg



Installation Time

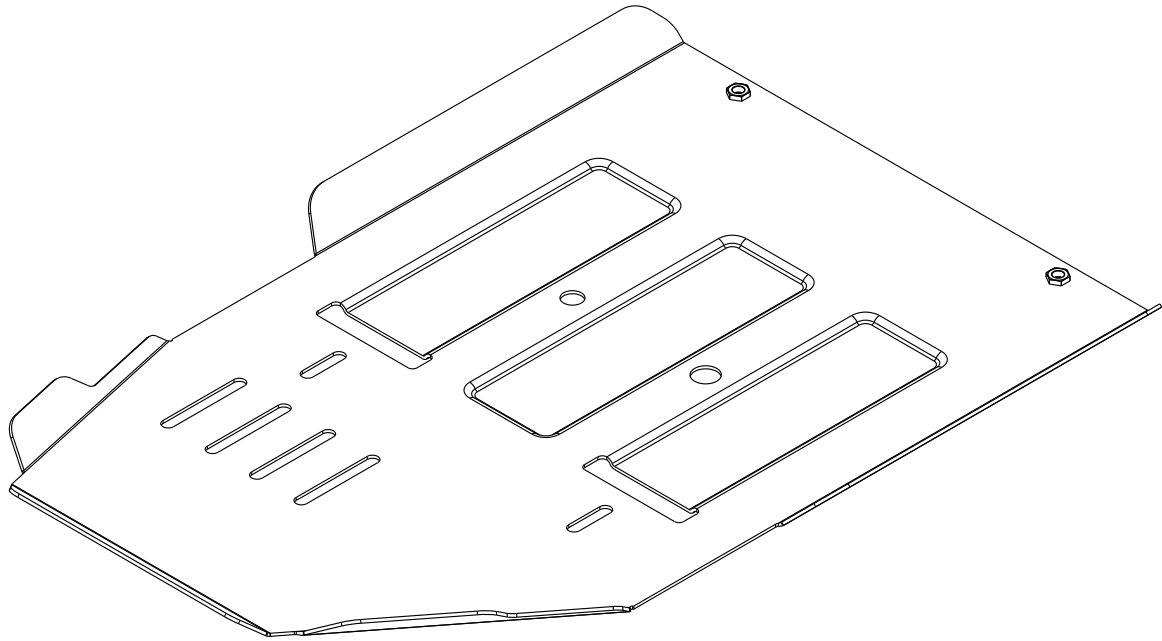
10 min

Manual reference number

AIM 001-931-0

KZNG5-01699-00

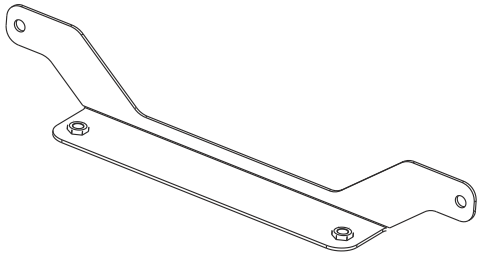
A



1x

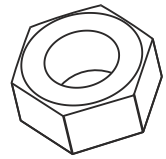
KZNG5-01699-60

B



1x

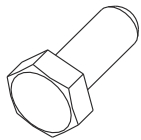
C



M10

2x

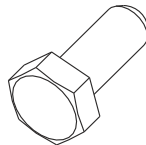
D1



M10x20

4x

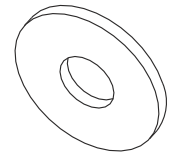
D2



M10x110

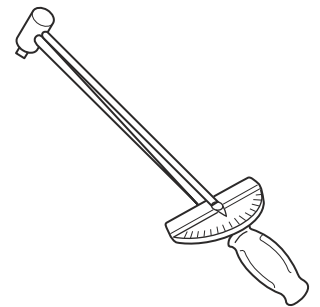
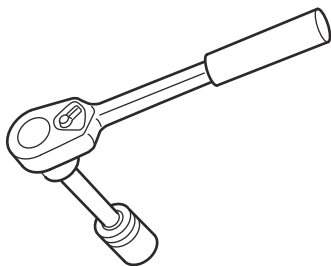
2x

E

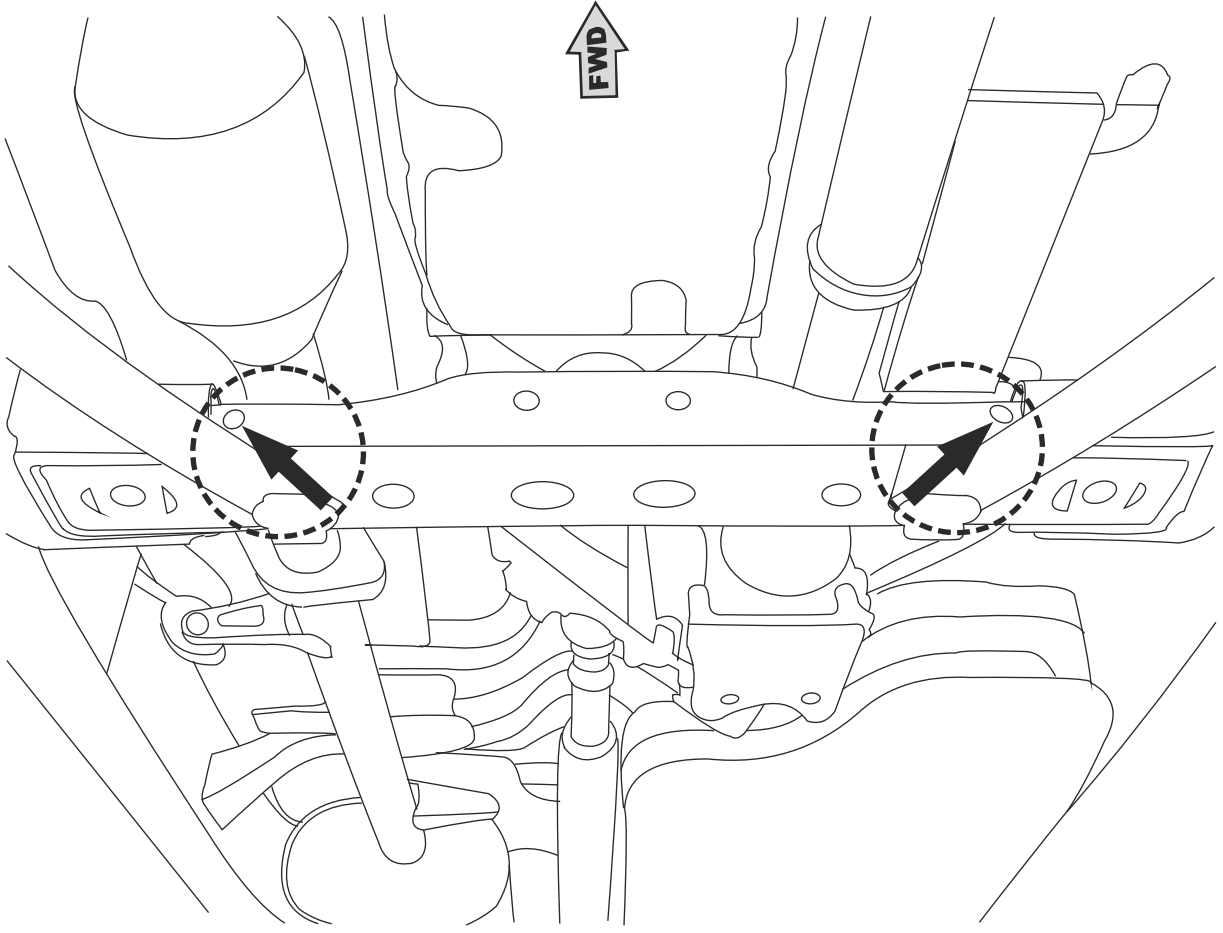


Ø10

8x



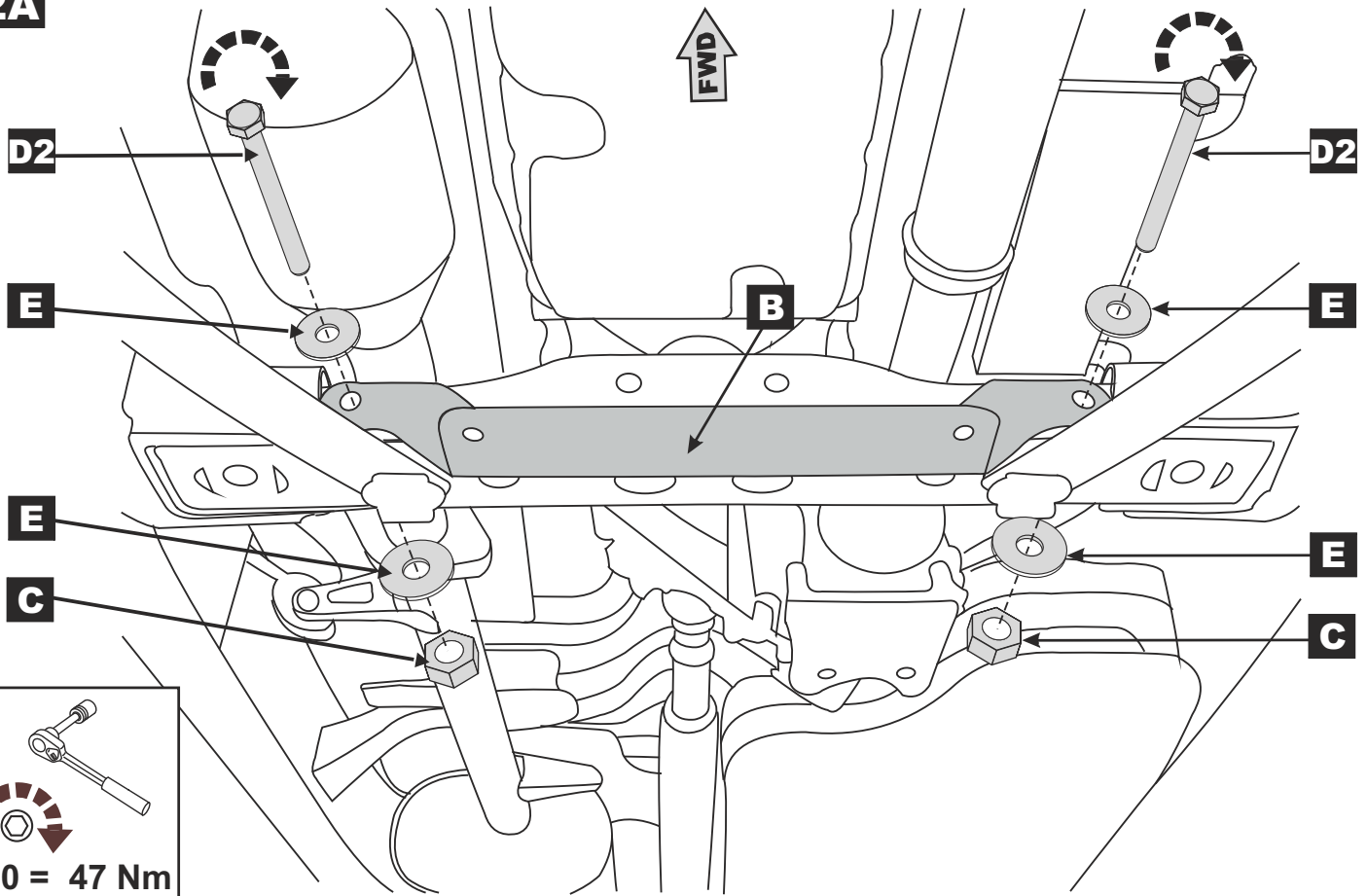
1

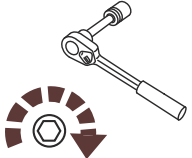


2A

LEXUS GX 460

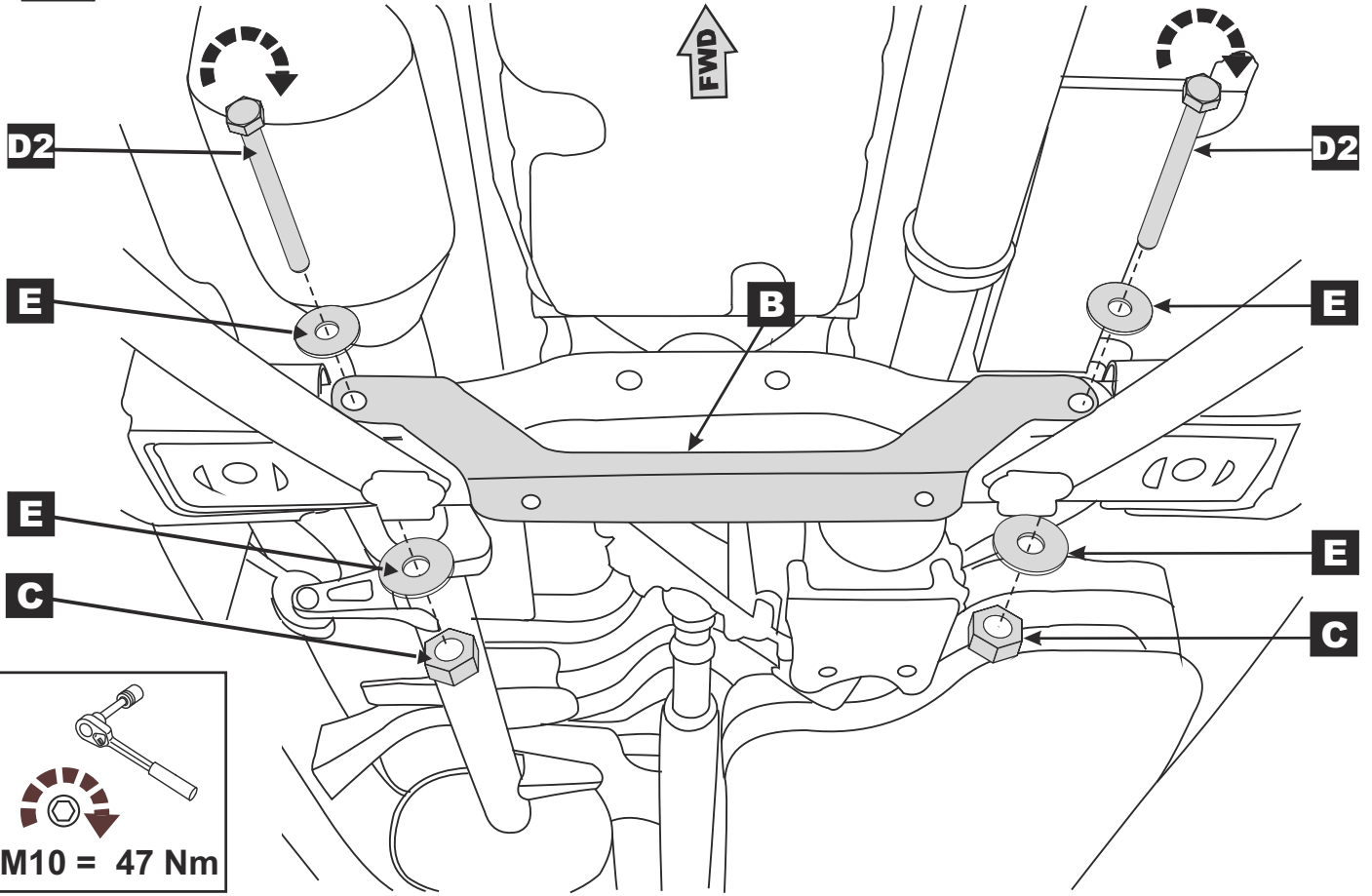
Toyota Land Cruiser 150 Diesel



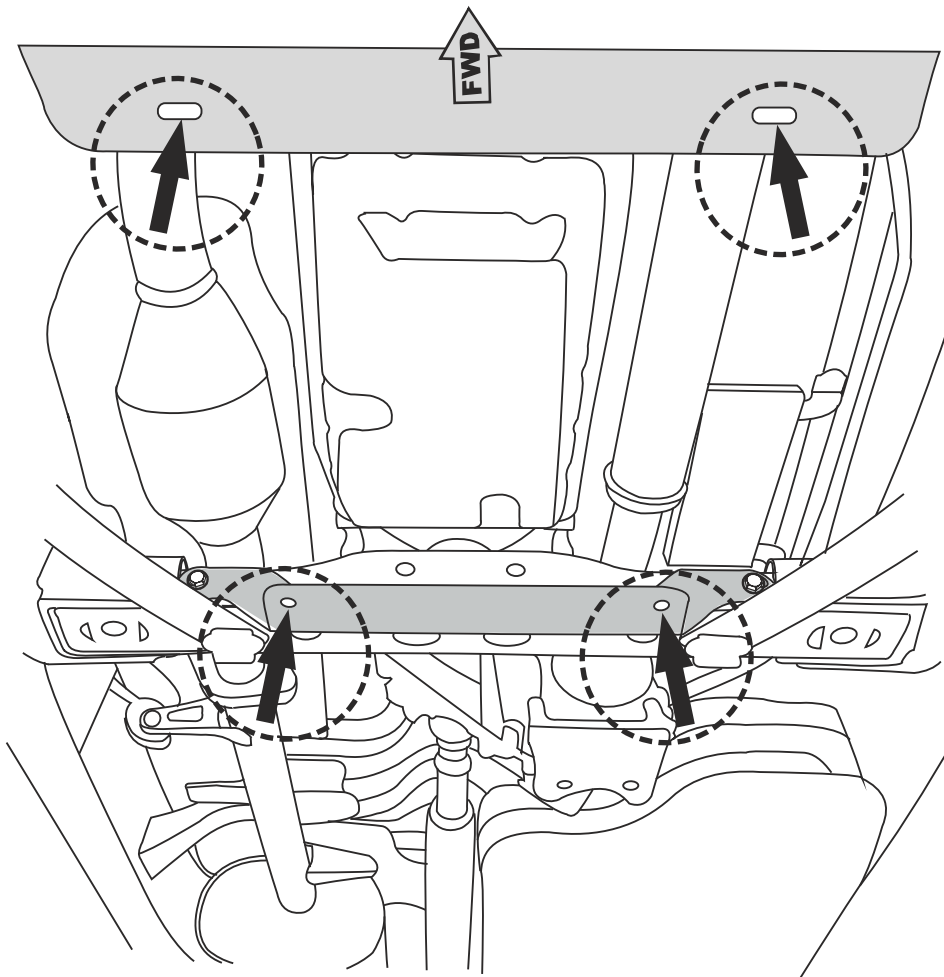

M10 = 47 Nm

2B

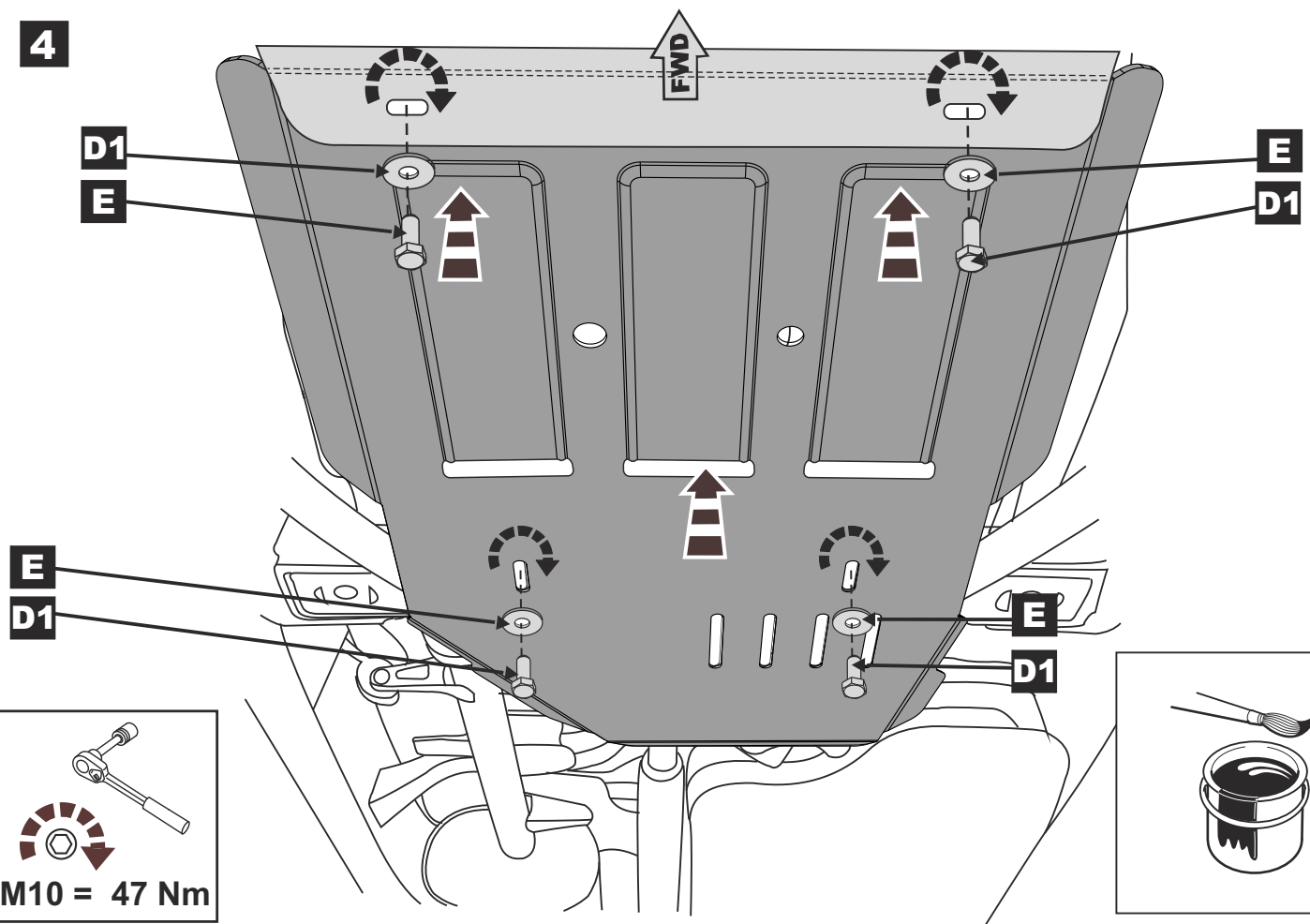
Toyota Land Cruiser 150 Petrol



3



4



5

